

TWIN AXIS HEADS

UBS

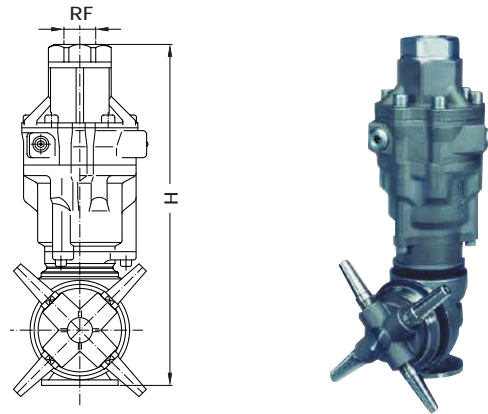
POSITIVE DRIVE

UBS heads have been designed to fulfill the requirements of those applications where intensive washing cycles at high pressure need to be performed. The sturdy stainless steel case houses an high precision driving mechanism based on an high speed turbine, operated by the washing liquid itself, and an epicycloid reduction gearbox. The gear ratio is expressly chosen so as to obtain a given pitch between the paths covered at each turn of the water jets. This design ensures that the inside surface of the tank is thoroughly cleaned, with an homogeneous result all over.

This well proven design, coupled with high precision machining, assures for a long, trouble-free operation life. It is, however, recommended to protect the head from premature wear damage using the cleanest possible washing solution. An inlet water filter (0.6 mm/38 mesh) is built inside the feed port, being the only part requiring to be cleaned regularly: it avoids large size foreign particles to enter the device.

UBS heads can be supplied to cope with a wide variety of capacity requirements: several inner setup values, based on the turbine feed injectors are available on request. For any required capacity (lpm) the injectors bore value can be selected in order to obtain a rotary velocity value within the recommended operation range of 10 to 15 (rpm). The diagram below gives the capacity in lpm and the rotary speed in rpm, based on the different available injector sizes: please note the injector size set-up can only be modified at the factory.

Each head model is supplied complete with four straight jet high pressure nozzles having the capacity size value shown in the table beside.



Code	Injector setup mm	Capacity lpm	Nozzle size	Weight kg
UBS A025 B1EG	3 x 2.0	25	025	5.3
UBS A030 B1EG	3 x 2.5	30	03	
UBS A040 B1EG	3 x 3.0	40	04	
UBS A050 B1EG	3 x 4.0	50	045	
UBS A065 B1EG	3 x 5.0	65	06	
UBS A080 B1EG	3 x 6.0	80	07	
UBS A100 B1EG	3 x 7.0	100	09	
UBS A110 B1EG	3 x 8.0	110	11	
UBS A120 B1EG	3 x 9.0	120	15	

Above capacity values are given for a max rotary speed of 15 rpm and feed pressure value 140 bar

Operational conditions Water pressure max 140 bar  
Water temperature max 90° C

Material Head B2 Aisi 304 Stainless steel  
Wash nozzles C2 Aisi 416 hardened

Operation example

With a pump delivering 50 lpm the head can be operated with three different set-ups:

- Injectors 7.0 mm, speed 10 rpm
- Injectors 6.0 mm, speed 12 rpm
- Injectors 5.0 mm, speed 15 rpm

