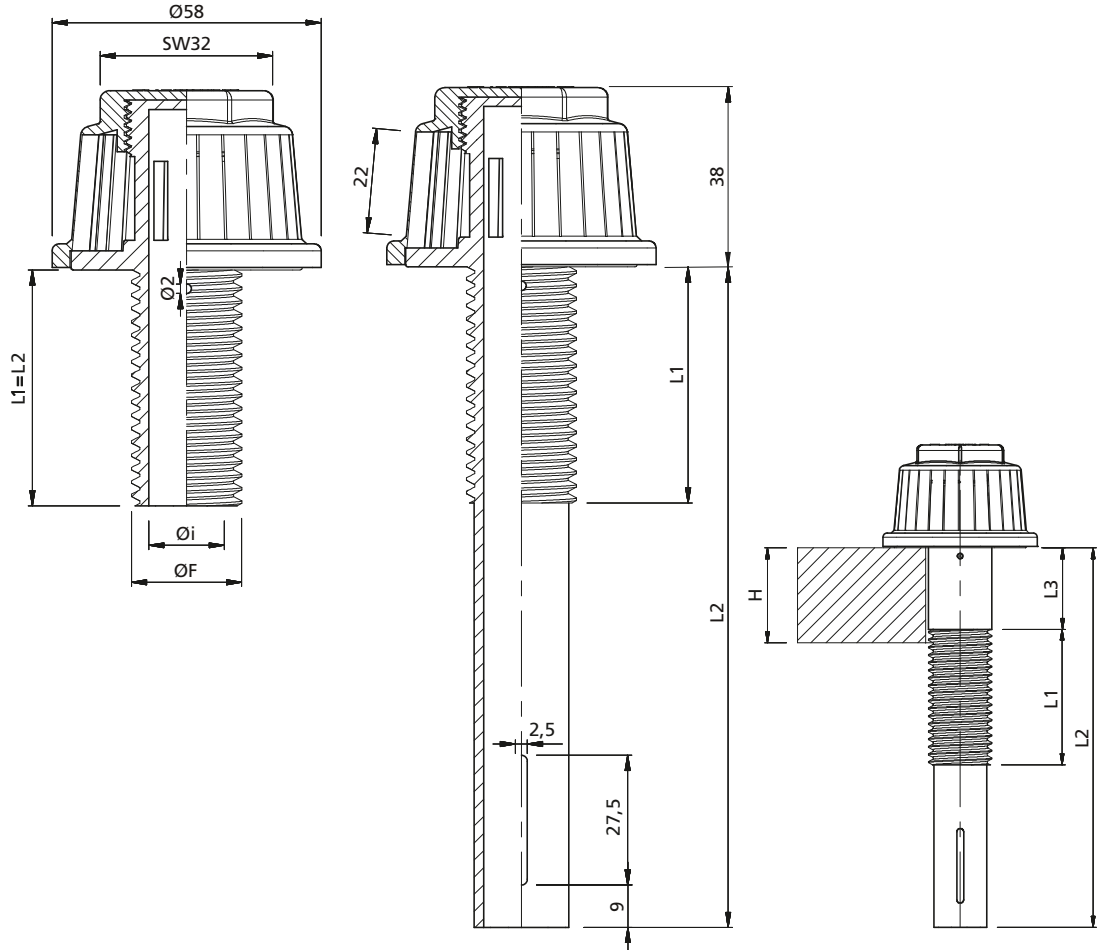


UGELLI A FESSURE VERTICALI FILTER NOZZLES WITH VERTICAL SLOTS



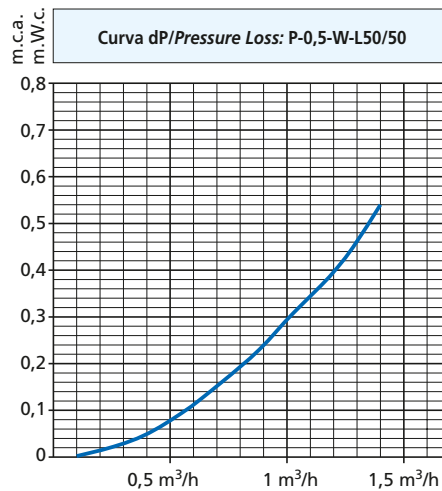
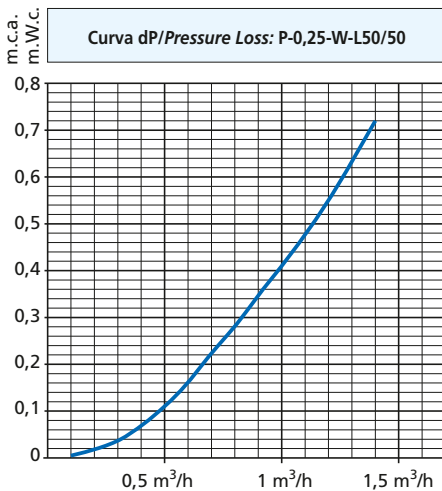
- Adatto per filtrazione sabbia e antracite
- Di facile pulizia mediante controlavaggio
- Ampia gamma di filetti e codoli
- Economico
- Suitable for sand and anthracite filters
- Easily cleaned by backwash
- Wide set of threads and stems
- Inexpensive



| Tipo Type | Fessura Slot width mm | N. Fessure Slots No. | Sezione Area mm ² |
|--------------|-----------------------------|-------------------------|------------------------------------|
| P | 0,25 | 30 | 165 |
| | 0,50 | 26 | 286 |
| | 0,80 | 20 | 352 |
| | 1,00 | 20 | 440 |
| | 2,00 | 18 | 774 |
| | 3,00 | 12 | 684 |

Materiale/Material: PP - PPFV - PVDF

| Filetto Thread | ØF mm | Øi mm | Area codolo Stem area mm ² | L1 mm | L2 mm | L3 mm |
|-------------------|----------|----------|---|--------------------|---|--------------|
| 1/2"G | 20,9 | 14 | 154 | 15, 20, 30, 50 | 20, 30, 50, 80, 100, 120, 140, +5.....300 | max=(300-L1) |
| 3/4"G | 26,3 | 16 | 200 | 18, 20, 30, 50 | 20, 30, 50, 80, 100, 120, 140, +5.....400 | max=(400-L1) |
| 1"G | 33,2 | 21 | 346 | 35 | 20, 30, 50, 80, 100, 120, 140, +5.....400 | max=(400-L1) |
| M20 x 2,5 | 20 | 14 | 154 | 20, 50 | 20, 30, 50, 80, 100, 120, 140, +5.....300 | max=(300-L1) |
| M24 x 3 | 24 | 16 | 200 | 30, 50 | 20, 30, 50, 80, 100, 120, 140, +5.....400 | max=(400-L1) |
| M27 x 3 | 27 | 16 | 200 | 20 | 20, 30, 50, 80, 100, 120, 140, +5.....400 | max=(400-L1) |
| M30 x 3,5 | 30 | 21 | 346 | 30, 50 | 20, 30, 50, 80, 100, 120, 140, +5.....400 | max=(400-L1) |
| 7/8"W | 22,2 | 14 | 154 | 30 | 20, 30, 50, 80, 100, 120, 140, +5.....300 | max=(300-L1) |
| 15/16"W | 23,5 | 16 | 200 | 20, 30, 40, 50, 70 | 20, 30, 50, 80, 100, 120, 140, +5.....400 | max=(400-L1) |
| 1"W | 25,4 | 16 | 200 | 20, 25, 30, 50 | 20, 30, 50, 80, 100, 120, 140, +5.....400 | max=(400-L1) |
| 1.1/4"W | 31,75 | 21 | 346 | 25, 30, 50 | 20, 30, 50, 80, 100, 120, 140, +5.....400 | max=(400-L1) |



NOTE
Su richiesta, può essere fornita la curva caratteristica di dP di tutti gli ugelli prodotti da ILMAP.

On demand, the dP characteristic curve of all the nozzles made by ILMAP can be supplied.